



PARTS NAME : FLOW SENSOR

PARTS No. : PAC-FS01-E

SALES MODEL CODE : 7H1FS01

# MITSUBISHI ELECTRIC CORPORATION

## INSTALLATION MANUAL

- Before starting installation, read the following description together with the installation manual included with the unit.
- Please read carefully and observe fully the following safety precautions.

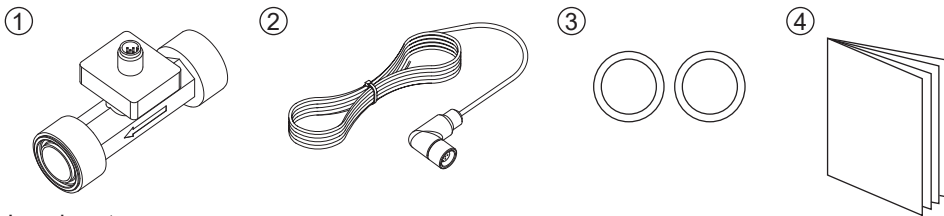
**⚠ WARNING** Precautions that must be observed to prevent injuries or death.

- After installation carry out a test run to ensure correct operation, then explain operation method and safety precautions to the end user. Tell your customers to keep this installation manual together with the operation manual, and when they give or sell this machine to any other person include this installation manual and operation manual with it.

### ⚠ WARNING

- Before installing any accessories on the unit ensure the unit is isolated from the power supply.
- Connections must be made securely and without tension on the terminals.
- All electrical work should be performed by a qualified technician according to local regulations and the instructions given in this manual.
- Do not remodel this part.

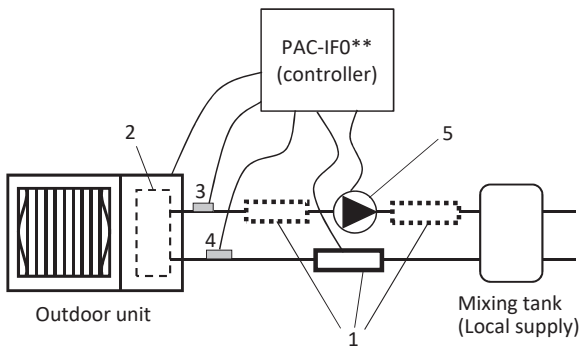
<Included items>



	Item	Piece
①	Flow sensor body	1
②	Flow sensor cable 5 m, color: black	1
③	O-ring	2
④	Installation manual (This paper)	1

■ Local system

Install the flow sensor between the mixing tank and the plate heat exchanger when using the mixing tank.



Number	Component
1	Flow sensor
2	Plate heat exchanger
3	Flow temp. thermistor (THW1)
4	Return temp. thermistor (THW2)
5	Circulation pump (local supply)

<Note>

Be sure to install this optional part on safety when the combination of the below models are set.

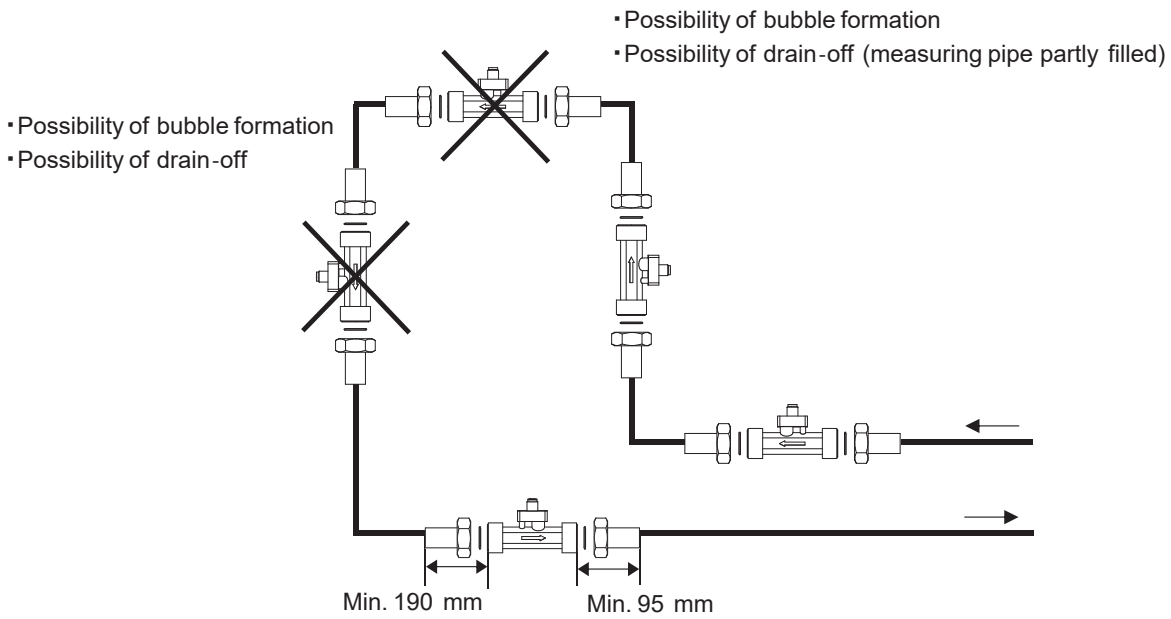
- Outdoor unit: PUZ-(H)WM\*\*\*\*A     ▪ Indoor unit: PAC-IF072B-E

Install this flow sensor optionally for the combination of the below models.

- Outdoor unit: SUZ-SWM\*\*VA     ▪ Indoor unit: PAC-IF071B-E  
                   PUD-S(H)WM\*\*\*AA        PAC-IF033\*\*\*\*-E  
                   PUHZ-S(H)W\*\*\*\*\*A

## 1. Installation

The unit can be installed in both horizontal as well as vertical pipelines.  
The flow sensor is only suitable for use in fully filled piping.



### <Note>

- The length of the inlet section should be at least 190 mm and the length of the outlet section should be at least 95 mm.

## 2. Electrical work

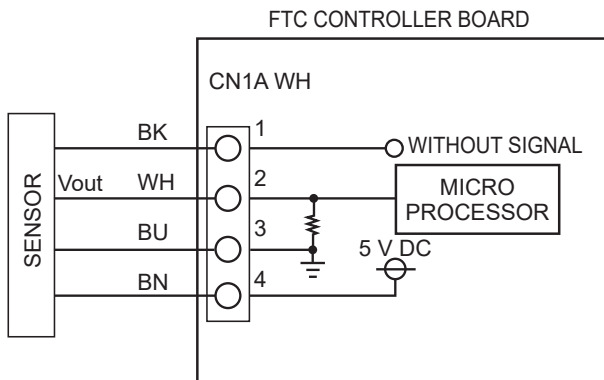
Model	Signal name	Terminal block	Connector	Item
PAC-IF07*B-E	INA1	TBI.4 1-3	CN1A	Flow sensor
PAC-IF033****-E	—	—	CN1A	Flow sensor

## 3. Dip switch setting

Model	Dip switch	Function	OFF	ON
PAC-IF07*B-E	SW2-8	Flow sensor	WITHOUT Flow sensor	WITH Flow sensor
PAC-IF033****-E	SW4-2	Flow sensor	WITHOUT Flow sensor	WITH Flow sensor

## 4. Specifications

Ambient temperature range	0 to 70 °C
Fluid temperature range	5 to 90 °C



- ④-③ : 5 V (DC)
- ②-③ : Output Vout (DC)

