



PARTS NAME : PRESSURE SENSOR

PARTS No. : PAC-PS01-E

SALES MODEL CODE : 7H1PS01

MITSUBISHI ELECTRIC CORPORATION

# INSTALLATION MANUAL

- Before starting installation, read the following description together with the installation manual included with the unit.
- Please read carefully and observe fully the following safety precautions.

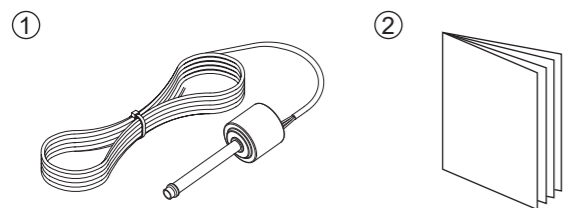
**⚠ WARNING** Precautions that must be observed to prevent injuries or death.

- After installation carry out a test run to ensure correct operation, then explain operation method and safety precautions to the end user. Tell your customers to keep this installation manual together with the operation manual, and when they give or sell this machine to any other person include this installation manual and operation manual with it.

## ⚠ WARNING

- Before installing any accessories on the unit ensure the unit is isolated from the power supply.
- Connections must be made securely and without tension on the terminals.
- All electrical work should be performed by a qualified technician according to local regulations and the instructions given in this manual.
- Do not remodel this part.

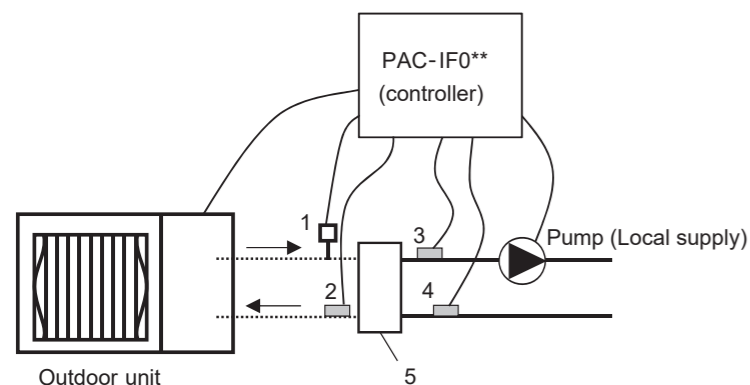
<Included items>



Item	Piece
① Pressure sensor 1.9 m	1
② Installation manual (This paper)	1

### ■ Local system

Install the pressure sensor on the supply pipe side of the refrigerant pipe.



Number	Component
1	Pressure sensor
2	Refrigerant liquid temp. thermistor (TH2)
3	Flow temp. thermistor (THW1)
4	Return temp. thermistor (THW2)
5	Plate heat exchanger (local supply)

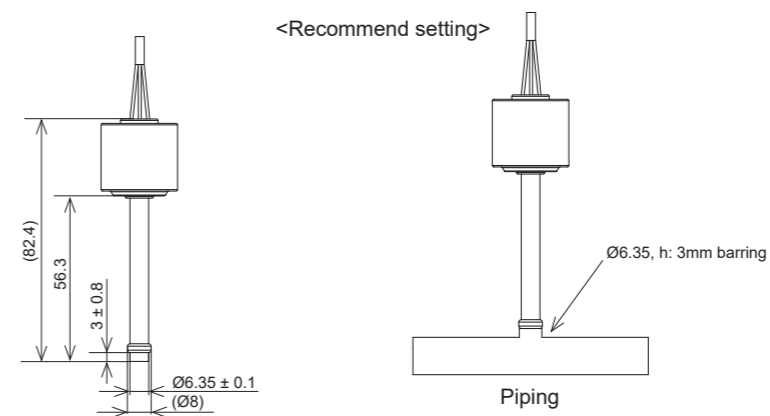
### <Note>

Be sure to set this optional part on safety when the combination of the below models are set.

- Outdoor unit: SUZ-SWM\*\*VA      • Indoor unit: PAC-IF071B-E  
PAC-IF033\*\*\*\*-E

## 1. Pipe work

Install the pressure sensor following the Note below.



### <Note>

- Install the sensor within 0.4 m from the plate heat exchanger.
- When brazing the pipe, keep the temperature around the cap at 100 °C or lower. Failure to do so could impair waterproof performance of the pressure sensor.
- When wiring, please do not touch the terminals directly under the charged state, otherwise the pressure sensor could be damaged by static electricity.
- Please do not install the pressure sensor anywhere that water could come in because it could not work.
- Please do not apply any stress (e.g. bending stress, pulling stress, or impact shock) to the electric wire. Failure to do so could break or damage the electric wire.

## 2. Electrical work

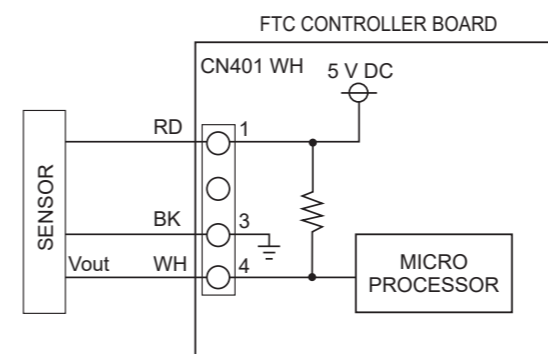
Model	Connector	Item
PAC-IF07*B-E	CN401	Pressure sensor
PAC-IF033****-E	CN401	Pressure sensor

## 3. Dip switch setting

Model	Dip switch	Function	OFF	ON
PAC-IF071B-E	SW6-3	Pressure sensor	Inactive	Active
PAC-IF033****-E	SW4-1	Pressure sensor	Inactive	Active

## 4. Specifications

Ambient temperature range	-30 to 100 °C
Fluid temperature range	-30 to 120 °C



- ①-③ : 5 V (DC)
- ①-④ : Output Vout (DC)

